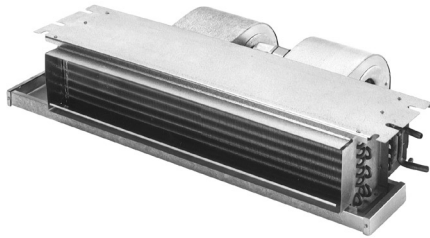


**NOW WITH  
SMALLER ENCLOSURES!**



## **CDX-HW-HO(-C) Series** Horizontal Recessed Ceiling Fan Coil **Heating Only** Up to 51,700 BTUH HW Heat



**CDX-HW-HO Fan Coil**  
(without enclosure - CDX-HW shown)



**Optional Access Panel**  
(non-louvered shown)

The space-saving **CDX-HW-HO** series fan coil is only 10" high (11" with enclosure), thus allowing it to recess in a ceiling. Recessed ceiling fan coils save valuable floor space and eliminate costly "equipment" closets.

All **CDX-HW-HO** fan coils include a 120/24V transformer and are completely prewired.

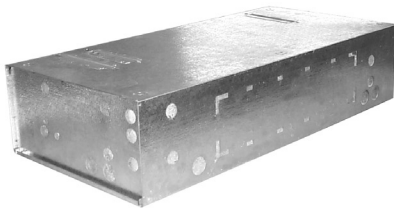
(-C) model: for **CDX-HW-HO** fan coils factory installed within an enclosure, add "-C" after **CDX-HW-HO**. For example, ordering model **18CDX-HW-HO-C** will include a **CDX-HW-HO** fan coil factory installed in a # **9ECDX01** enclosure and your choice of either a **966** or **966-1** panel.

### **Standard Features:**

- **Factory installed service switch**
- Single point power connection
- HW coil
- 120V motor, 24V controls
- Highly efficient copper tube/aluminum fin heating coil.

### **Optional Accessories:**

- Attractive off-white return air / access panel with captive screws (panels can be field painted)
- Fully insulated enclosure with matching ceiling panel (enclosure can be pre-installed). (Also allows for ducted return air).



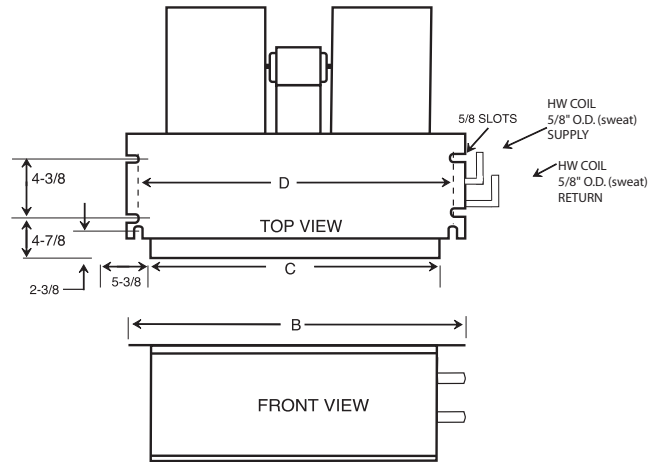
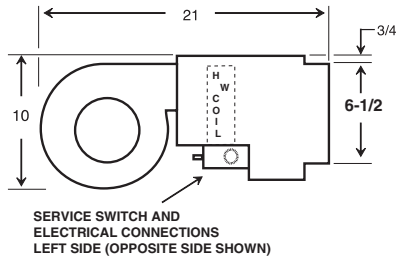
**Optional Insulated Enclosure**



**Matching Access Panel for Enclosure**  
(non-louvered shown)

# CDX-HW-HO(-C) Series

## Horizontal Fan Coil Hot Water Heating



### CDX-HW-HO FAN COIL DATA



BLOWER DATA										
UNIT MODEL	MOTOR (1)		MOTOR HP 120(V)	MIN. CKT. AMPACITY	MAX. CKT. PROTECTION	CFC vs. EXTERNAL STATIC PRESSURE (2)				
	RPM	AMPS				0.05	0.10	0.15	0.20	0.25
18CDX-HW-HO	1550	1.9	1/8	3	15	720	690	655	635	600
24CDX-HW-HO	1550	3.0	1/5	4	15	860	840	825	810	785
30CDX-HW-HO	1550	3.6	1/4	5	15	1050	1025	1000	970	930
36CDX-HW-HO	1550	4.6	1/5	6	15	1340	1300	1250	1200	1135

- (1) Motors are 120V.
- (2) CFM vs. static at high motor speed.
- (3) Airflow data is approximate.

PHYSICAL DIMENSIONS			
UNIT MODEL	B	C	D
18CDX-HW-HO	37-1/4	30-1/8	34-3/4
24CDX-HW-HO	43-1/4	36-1/8	40-3/4
30CDX-HW-HO	49-1/4	42-1/8	46-3/4
36CDX-HW-HO	56-1/4	49-1/8	53-3/4

PERFORMANCE DATA					
UNIT MODEL	HEATING GPM	PRESS. DROP (FT. WTR.)	BTUH (1000) AT ENTERING WATER TEMPERATURE		
			120°F	140°F	180°F
18CDX-HW-HO	1	.66	10.1	14.1	22.0
	2	2.0	12.4	17.3	27.0
	3	3.3	13.3	18.4	28.8
24CDX-HW-HO	2	2.1	15.4	21.4	33.5
	3	4.1	16.6	23.0	36.0
	4	6.6	17.2	23.9	37.4
30CDX-HW-HO	2	2.2	18.2	25.3	39.6
	3	4.3	19.6	27.3	42.6
	4	6.8	20.6	28.6	44.7
36CDX-HW-HO	2	2.8	20.4	28.4	44.3
	3	5.4	22.7	31.6	49.3
	4	8.5	23.8	33.1	51.7

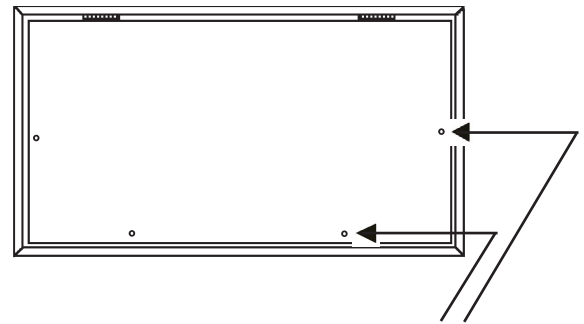
In keeping with its policy of continuous progress and product improvement, First Operations reserves the right to make changes without notice. Maintenance for all First Co. products is available under "Product Maintenance" at [www.firstco.com](http://www.firstco.com).

#### NOTES:

1. Heat BTUH is at 70 degree EAT.
2. 120 degree and 180 degree data is supplied for boiler applications.
3. Heating BTUH output will not exceed output of water heater.
4. Approved for installation with 0" clearance to combustible material.

# Ceiling Access Panels - (For CDX-HW-HO's installed without enclosure)

CEILING ACCESS PANELS						
FOR MODEL	PANEL NO.	DESCRIPTION	CEILING PANEL OPENING		PANEL FRAME DIMS. (OUTSIDE)	
18CDX-HW-HO	966	LOUVERED	24-1/2	46	27-1/2	49
	966-1	NON-LOUVERED	24-1/2	46	27-1/2	49
24CDX-HW-HO	967	LOUVERED	24-1/2	52-1/2	27-1/2	55-1/2
	967-1	NON-LOUVERED	24-1/2	52-1/2	27-1/2	55-1/2
30-36CDX-HW-HO	967-4	LOUVERED	24-1/2	67-1/8	27-1/2	70-1/8
	967-5	NON-LOUVERED	24-1/2	67-1/8	27-1/2	70-1/8



**captive screws now on all panels**  
(screw stays in panel when opened)



**966-1, 967-1, 967-5  
967-7**



**966, 967, 967-1, 967-6**  
(Louvers may differ from picture)  
Louvered panels accept 20x20x1" filter  
(field supplied)

## Enclosures with Matching Ceiling Panels

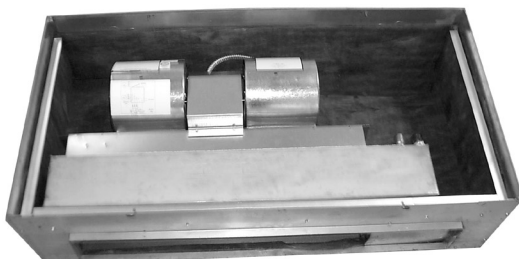
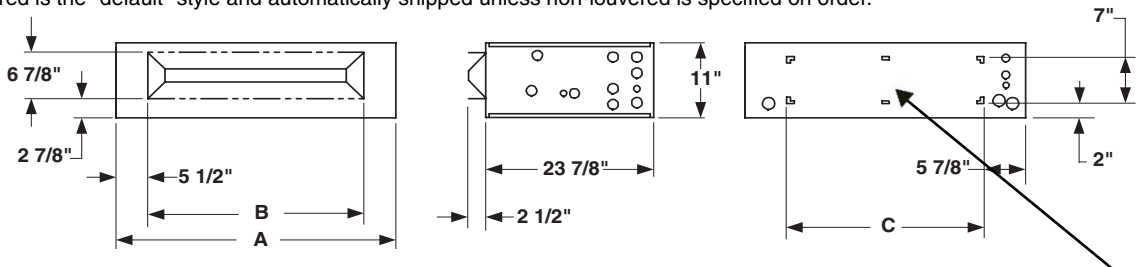
(Enclosures and panels are included as standard with ALL "-C" models or can be ordered separately as a knocked down kit for CDX-HW-HO models)

ENCLOSURE DIMENSIONS					PANEL NO.	DESCRIPTION	CEILING PANEL OPENING		PANEL FRAME DIMS. (OUTSIDE)	
FOR MODEL	ENCLOSURE	A	B	C			W	L	W	L
18CDX-HW-HO	9ECDX01 (1)	45-3/4	30-7/8	34	966	LOUVERED	24-1/2	46	27-1/2	49
					966-1	NON-LOUVERED	24-1/2	46	27-1/2	49
24CDX-HW-HO	9ECDX02 (1)	51-3/4	36-7/8	40	967	LOUVERED	24-1/2	52-1/2	27-1/2	55-1/2
					967-1	NON-LOUVERED	24-1/2	52-1/2	27-1/2	55-1/2
30CDX-HW-HO	9ECDX03 (1)	58-1/2	42-7/8	46-3/4	967-6	LOUVERED	24-1/2	60	27-1/2	63
					967-7	NON-LOUVERED	24-1/2	60	27-1/2	63
36CDX-HW-HO	9ECDX04 (1)	66-1/2	49-7/8	54-3/4	967-8	LOUVERED	24-1/2	67	27-1/2	70
					967-5	NON-LOUVERED	24-1/2	67	27-1/2	70

(See Panel Pictures Above)

### NOTES:

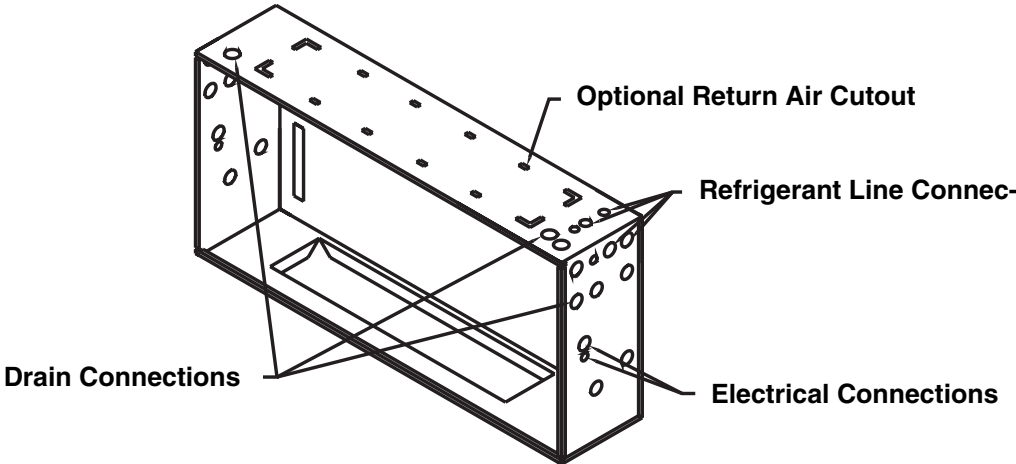
- (1) These enclosures are shipped "Knocked Down" and must be field assembled.
- (2) Louvered is the "default" style and automatically shipped unless non-louvered is specified on order.



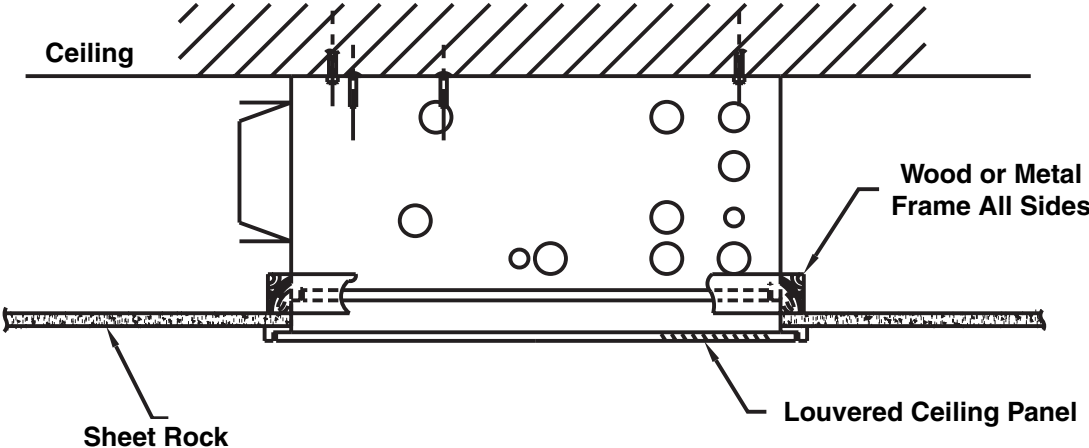
**KNOCKOUT FOR DUCTED RETURN**  
(Requires remote filter grille - field supplied)  
(Ducted return requires non-louvered panel)

Picture shown is a "-C" model with installed **CDX-HW-HO**  
(Available from the factory as a complete unit)

**ENCLOSURE CONNECTION LOCATIONS**



**ENCLOSURE INSTALLATION SUPPORT FRAMING**



**CEILING PANEL FRAME INSTALLATION**

