

**NOW WITH
SMALLER ENCLOSURES!**



CDXQ-HO(-C) Series

Horizontal Recessed
Ceiling Fan Coil
Heating Only
Up to 49,300 BTUH HW Heat



CDXQ-HO Fan Coil
(without enclosure - CDXQ shown)



Optional Access Panel
(non-louvered shown)

The space-saving **CDXQ-HO** series fan coil is only 10" high (11" with enclosure), thus allowing it to recess in a ceiling. Recessed ceiling fan coils save valuable floor space and eliminate costly "equipment" closets.

The **CDXQ-HO** fan coil has a factory installed circulating pump with easy access hot water check valve.

All **CDXQ-HO** fan coils include a 120/24V transformer and are completely prewired.

(-C) model: for **CDXQ-HO** fan coils installed within an enclosure, add **"-C"** after **CDXQ-HO**. For instance, ordering model **18CDXQ-HO-C** will include a **CDXQ-HO** fan coil factory installed in a # **9ECDX01** enclosure and you choice of either a # **966** or **966-1** panel.

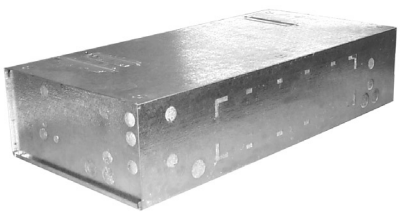
Note: State of MA, .248 CMR code of the state of MA requires a pump timer. (60 seconds every 6 hours)

Standard Features:

- **Factory installed service switch**
- Single point power connection
- HW coil with installed pump, check valve, and air purge valve
- 120V motor, 24V controls
- Highly efficient copper tube/aluminum fin heating coil

Optional Accessories:

- Attractive off-white return air / access panel with captive screws (panels can be field painted)
- Fully insulated enclosure with matching ceiling panel (enclosure can be pre-installed). (Also allows for ducted return air).



Optional Insulated Enclosure

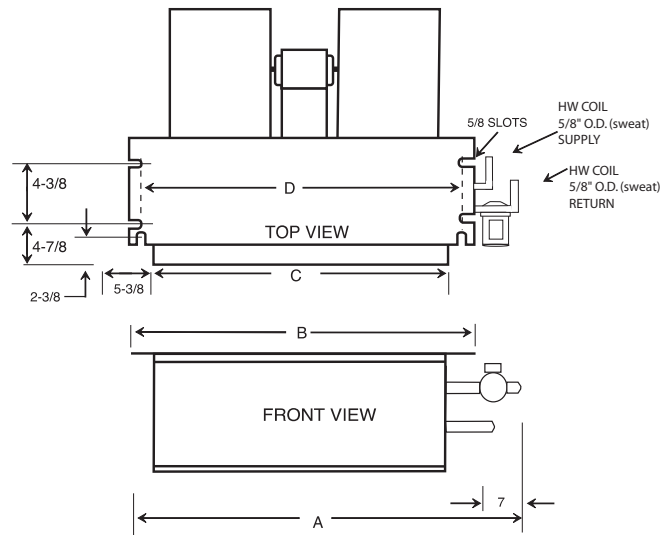
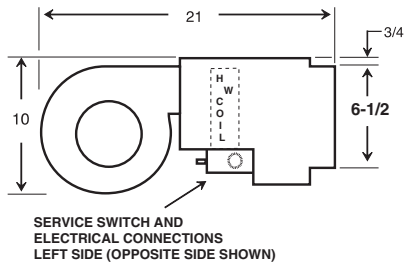


Matching Access Panel for Enclosure
(non-louvered shown)

CDXQ-HO Series

HORIZONTAL FAN COIL

HOT WATER HEATING



CDXQ-HO FAN COIL DATA

| BLOWER DATA | | | | | |
|-------------|--------------------------------------|------|------|------|------|
| UNIT MODEL | CFM vs. EXTERNAL STATIC PRESSURE (2) | | | | |
| | 0.05 | 0.10 | 0.15 | 0.20 | 0.25 |
| 18CDXQ-HO | 720 | 690 | 655 | 635 | 600 |
| 24CDXQ-HO | 860 | 840 | 825 | 810 | 785 |
| 30CDXQ-HO | 1050 | 1025 | 1000 | 970 | 930 |
| 36CDXQ-HO | 1340 | 1300 | 1250 | 1200 | 1135 |

| PHYSICAL DIMENSIONS (WITHOUT ENCLOSURE) | | | | |
|---|--------|--------|--------|--------|
| UNIT MODEL | A | B | C | D |
| 18CDXQ-HO | 44-1/4 | 37-1/4 | 30-1/8 | 34-3/4 |
| 24CDXQ-HO | 50-1/4 | 43-1/4 | 36-1/8 | 40-3/4 |
| 30CDXQ-HO | 56-1/4 | 49-1/4 | 42-1/8 | 46-3/4 |
| 36CDXQ-HO | 64-1/8 | 56-1/4 | 49-1/8 | 53-3/4 |

- (1) Motors are 120V.
- (2) CFM vs. static at high motor speed.
- (3) Airflow data is approximate.
- (4) 36CDXQ-HO has 2 motors & 4 blowers

| ELECTRICAL DATA | | | | | |
|-----------------|----------|-------|------|--------------------|---------------------|
| UNIT MODEL | MOTOR HP | AMPS | | MIN. CKT. AMPACITY | MAX CKT. PROTECTION |
| | | MOTOR | PUMP | | |
| 18CDXQ-HO | 1/8 | 1.9 | 0.57 | 4 | 15 |
| 24CDXQ-HO | 1/5 | 3.0 | 0.57 | 5 | 15 |
| 30CDXQ-HO | 1/4 | 3.6 | 0.57 | 6 | 15 |
| 36CDXQ-HO | 1/5 | 4.6 | 0.57 | 7 | 15 |



| PERFORMANCE DATA | | | | | | |
|------------------|-------------|-------------------------|--|-------|-------|-------|
| UNIT MODEL | HEATING GPM | PRESS. DROP (FT. WATER) | BTUH (1000)(1) AT ENTERING WATER TEMP. | | | |
| | | | 120°F | 130°F | 140°F | 180°F |
| 18CDXQ-HO | 3 | 3.3 | 13.3 | 15.8 | 18.4 | 28.8 |
| 24CDXQ-HO | 3 | 4.1 | 16.6 | 19.7 | 23.0 | 36.0 |
| 30CDXQ-HO | 3 | 4.3 | 19.6 | 23.4 | 27.3 | 42.6 |
| 36CDXQ-HO | 3 | 5.4 | 22.7 | 27.1 | 31.6 | 49.3 |

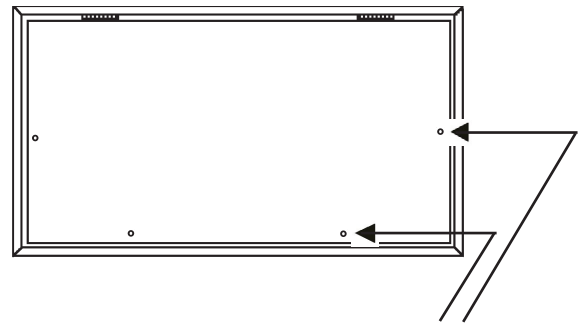
NOTES:

- 1. Heat BTUH is at 70 degree EAT.
- 2. 120 degree and 180 degree data is supplied for boiler applications.
- 3. Heating BTUH output will not exceed output of water heater.
- 4. Approved for installation with 0" clearance to combustible material.

In keeping with its policy of continuous progress and product improvement, First Operations reserves the right to make changes without notice. Maintenance for all First Co. products is available under "Product Maintenance" at www.firstco.com.

Ceiling Access Panels - (For CDXQ-HO's installed without enclosure)

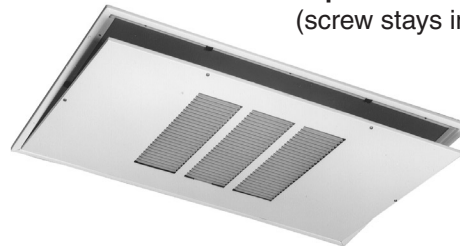
| CEILING ACCESS PANELS | | | | | | |
|-----------------------|-----------|--------------|-----------------------|--------|-----------------------------|--------|
| FOR MODEL | PANEL NO. | DESCRIPTION | CEILING PANEL OPENING | | PANEL FRAME DIMS. (OUTSIDE) | |
| 18CDXQ-HO | 966 | LOUVERED | 24-1/2 | 46 | 27-1/2 | 49 |
| | 966-1 | NON-LOUVERED | 24-1/2 | 46 | 27-1/2 | 49 |
| 24CDXQ-HO | 967 | LOUVERED | 24-1/2 | 52-1/2 | 27-1/2 | 55-1/2 |
| | 967-1 | NON-LOUVERED | 24-1/2 | 52-1/2 | 27-1/2 | 55-1/2 |
| 30-36CDXQ-HO | 967-4 | LOUVERED | 24-1/2 | 67-1/8 | 27-1/2 | 70-1/8 |
| | 967-5 | NON-LOUVERED | 24-1/2 | 67-1/8 | 27-1/2 | 70-1/8 |



captive screws now on all panels
(screw stays in panel when opened)



966-1, 967-1, 967-5
967-7



966, 967, 967-4, 967-6
(Louvers may differ from picture)
Louvered panels accept 20x20x1" filter
(field supplied)

Enclosures with Matching Ceiling Panels

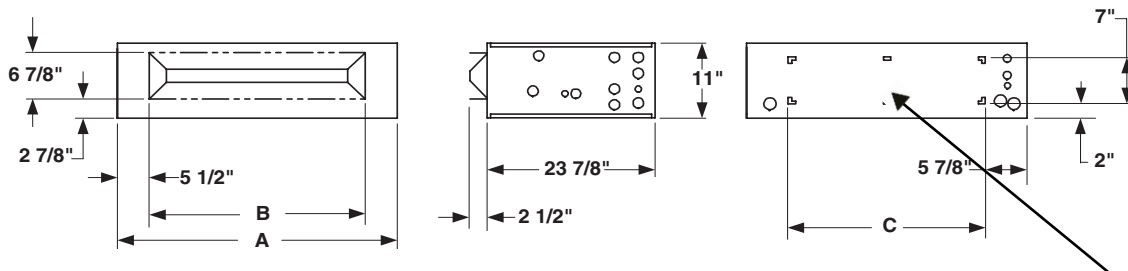
(Enclosures and panels are included as standard with ALL "-C" models or can be ordered separately as a knocked down kit for CDXQ-HO models)

| ENCLOSURE DIMENSIONS | | | | PANEL NO. | DESCRIPTION | CEILING PANEL OPENING | | PANEL FRAME DIMS (OUTSIDE) | | |
|----------------------|-------------|--------|--------|-----------|-------------|-----------------------|--------|----------------------------|--------|--------|
| FOR MODEL | ENCLOSURE | A | B | | | C | W | L | W | L |
| 18CDXQ-HO | 9ECDX01 (1) | 45-3/4 | 30-7/8 | 34 | 966 | LOUVERED | 24-1/2 | 46 | 27-1/2 | 49 |
| | | | | | 966-1 | NON-LOUVERED | 24-1/2 | 46 | 27-1/2 | 49 |
| 24CDXQ-HO | 9ECDX02 (1) | 51-3/4 | 36-7/8 | 40 | 967 | LOUVERED | 24-1/2 | 52-1/2 | 27-1/2 | 55-1/2 |
| | | | | | 967-1 | NON-LOUVERED | 24-1/2 | 52-1/2 | 27-1/2 | 55-1/2 |
| 30CDXQ-HO | 9ECDX03 (1) | 58-1/2 | 42-7/8 | 46-3/4 | 967-6 | LOUVERED | 24-1/2 | 60 | 27-1/2 | 63 |
| | | | | | 967-7 | NON-LOUVERED | 24-1/2 | 60 | 27-1/2 | 63 |
| 36CDXQ-HO | 9ECDX04 (1) | 66-1/2 | 49-7/8 | 54-3/4 | 967-8 | LOUVERED | 24-1/2 | 67 | 27-1/2 | 70 |
| | | | | | 967-5 | NON-LOUVERED | 24-1/2 | 67 | 27-1/2 | 70 |

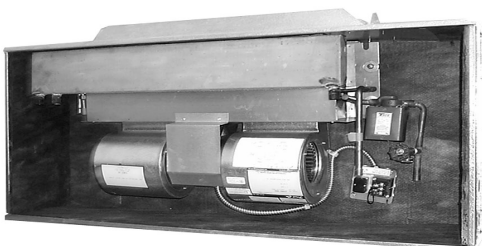
(See Panel Pictures Above)

NOTES:

- (1) These enclosures are shipped "Knocked Down" and must be field assembled.
- (2) Louvered is the "default" style and automatically shipped unless non-louvered is specified on order.

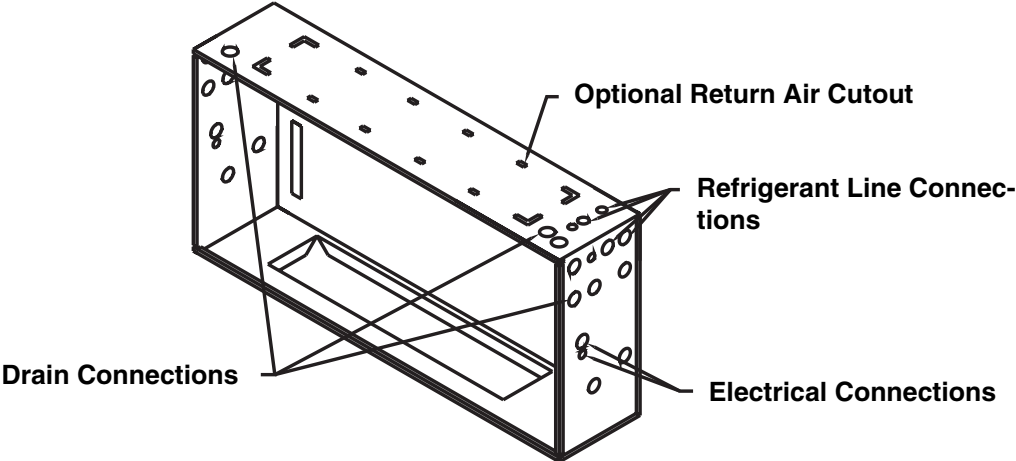


KNOCKOUT FOR DUCTED RETURN
(Requires remote filter grille - field supplied)
(Ducted return requires non-louvered panel)

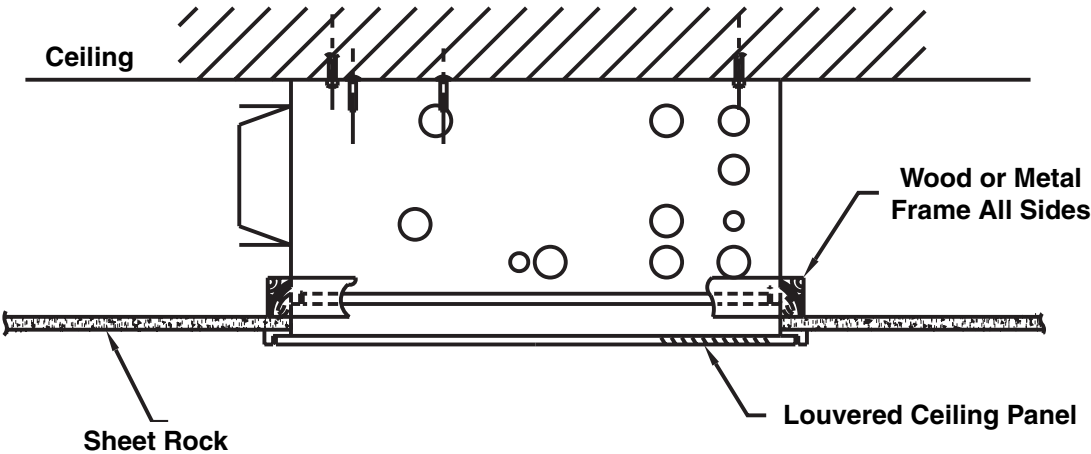


Picture shown is a "-C" model with installed CDXQ-HO
(Available from the factory as a complete unit)

ENCLOSURE CONNECTION LOCATIONS



ENCLOSURE INSTALLATION SUPPORT FRAMING



CEILING PANEL FRAME INSTALLATION

