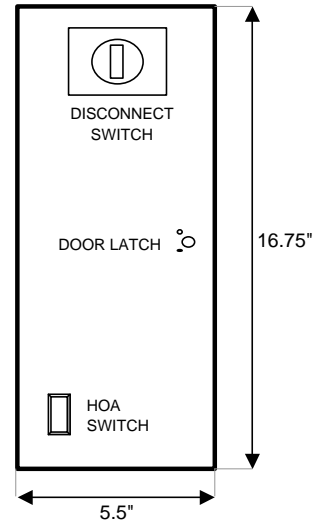
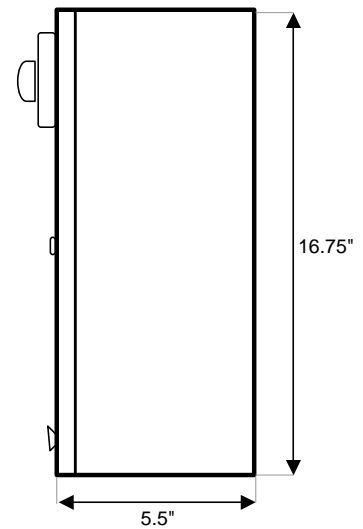


Volt	Phase	HP	FLA	MCA	Fuse	Qty	Part Number	
115	1	1/4	5.8	10	10	1	986FF11M3M	
		1/3	7.2	15	15	1	986FF11M4M	
		1/2	9.8	15	15	1		
		3/4	13.8	20	20	1	986FF11M5M	
		1	16.4	25	25	1	986FF11M6M	
		1 1/2	20.0	25	25	1		
		2	24.0	30	30	1	986FF11M7M	
277	1	1/4	2.4	6	6	1	986FF71M2M	
		1/3	3.0	6	6	1		
		1/2	4.1	6	6	1		
		3/4	5.7	10	10	1	986FF71M3M	
		1	6.8	10	10	1		
		1 1/2	8.5	15	15	1	986FF71M4M	
		2	10.0	15	15	1		
208/230	1	1/4	2.9	6	6	2	986FF31M2M	
		1/3	3.6	6	6	2		
		1/2	4.9	10	10	2	986FF31M3M	
		3/4	6.9	10	10	2		
		1	8.2	15	15	2	986FF31M4M	
		1 1/2	10.0	15	15	2		
		2	12.0	20	20	2	986FF31M5M	
208/230	3	1/4	N/A					986FF33M1M
		1/3	1.6	3	3	3		
		1/2	2.4	6	6	3	986FF33M2M	
		3/4	3.5	6	6	3		
		1	5.6	10	10	3	986FF33M3M	
		1 1/2	6.6	10	10	3		
		2	7.5	15	15	3	986FF33M4M	
		3	10.6	15	15	3		
5	16.7	25	25	3	986FF33M6M			
460	3	1/4	N/A					986FF63M1M
		1/3	0.8	3	3	3		
		1/2	1.1	3	3	3	986FF63M2M	
		3/4	1.6	3	3	3		
		1	3.7	6	6	3	986FF63M3M	
		1 1/2	3.0	6	6	3		
		2	3.7	6	6	3	986FF63M4M	
		3	4.8	10	10	3		
5	7.6	10	10	3	986FF63M6M			
575	3	1/4	N/A					986FF53M1M
		1/3	N/A					
		1/2	0.9	3	3	3	986FF53M2M	
		3/4	1.3	3	3	3		
		1	1.7	3	3	3	986FF53M3M	
		1 1/2	2.4	3	3	3		
		2	2.7	6	6	3	986FF53M4M	
		3	3.9	6	6	3		
5	6.1	10	10	3	986FF53M6M			

FRONT VIEW



SIDE VIEW



- | FEATURES                   |
|----------------------------|
| DISCONNECT SWITCH          |
| HAND OFF AUTO (HOA) SWITCH |
| POWER FUSING               |
| MOTOR CONTACTOR            |
| 24V TRANSFORMER            |
| LOW VOLTAGE TERMINAL BLOCK |
| FACTORY MOUNTED AND WIRED  |